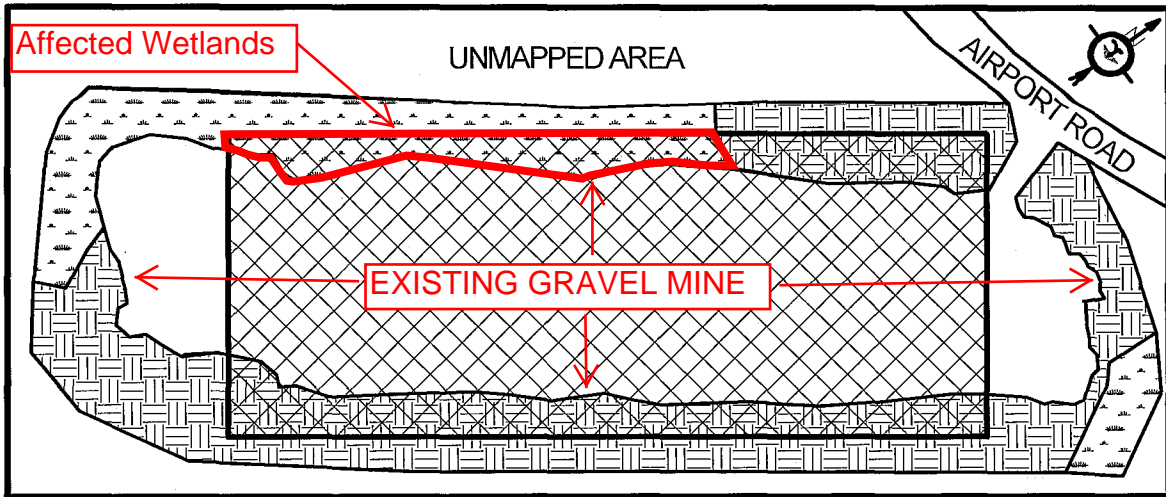


TRAVIS/PETERSON ENVIRONMENTAL CONSULTING, INC.
 329 2ND STREET
 FAIRBANKS, ALASKA 99701
 PROJECT NO: I183-18


ASRC CIVIL CONSTRUCTION, LLC
 PITKA'S POINT PIT
 PROJECT LOCATION & VICINITY
 FILE: PROJECTS/I183/18/FIGURES/FIGURE 1.SKF
 DATE: 03/28/2014
 SCALE: NONE

PITKA'S POINT PIT WETLANDS



0 371 FEET

 AREA TO BE MINED

 PSS3/EM1B

 UPLANDS

ASRC CIVIL CONSTRUCTION, LLC.

Activity: Mining Area Wetlands

Purpose: Material source in support of the St. Mary's/Mountain Village Road Rehabilitation Project

COE File Number:

Waterway Name & Number: Yukon River

Date of Drawings: March 28, 2014

Sheet 2 of 3

TRAVIS/PETERSON ENVIRONMENTAL CONSULTING, INC.
329 2ND STREET
FAIRBANKS, ALASKA 99701

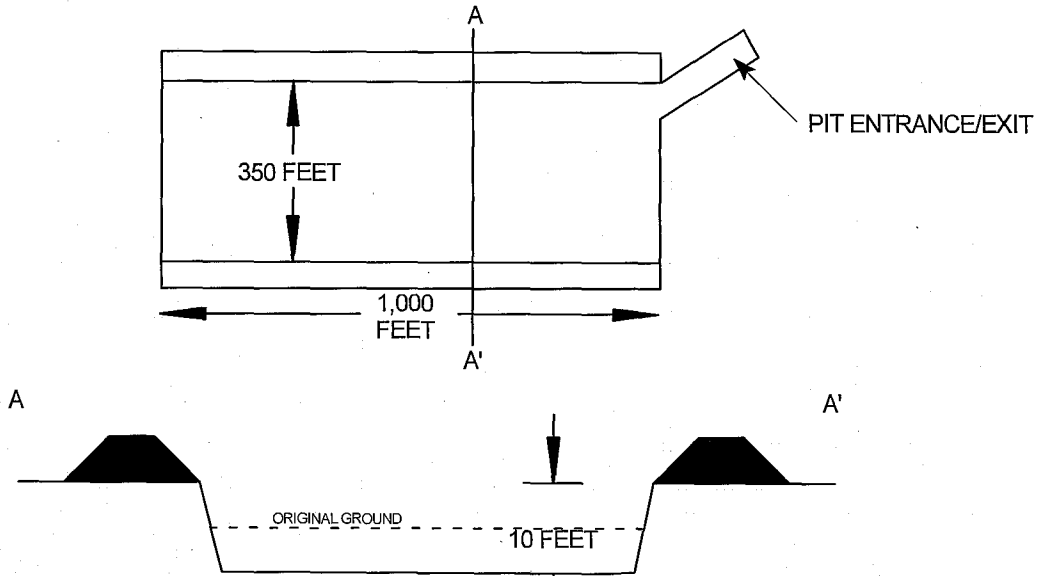
PROJECT No: 1183-18

FILE: Projects/1183/18/Sheet 2 of 3.SKF

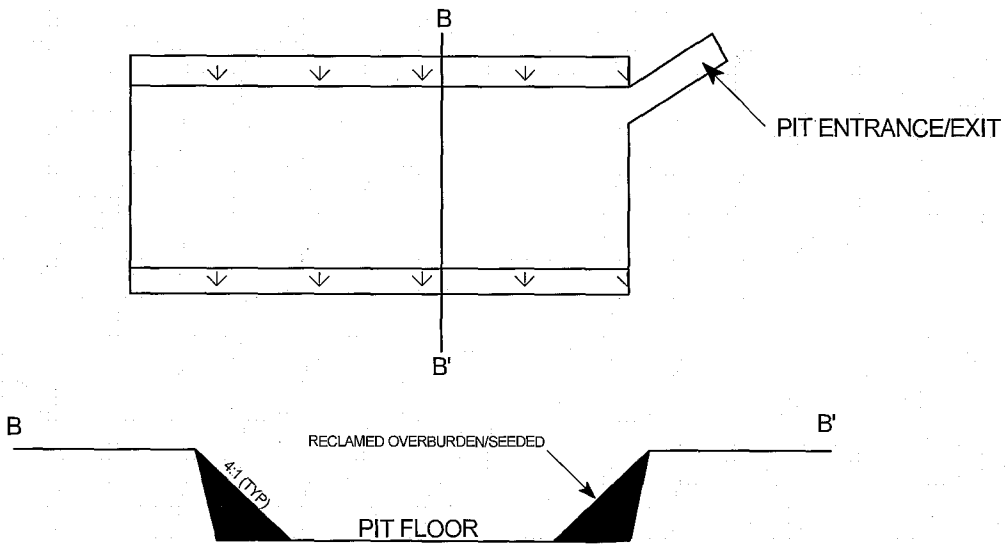
DATE: 03/28/2014

SCALE: AS SHOWN

MINING PLAN



MINING PLAN



ASRC CIVIL CONSTRUCTION, LLC.

Activity: Mining and Reclamation Plan

Purpose: Material source in support of the St. Mary's/Mountain Village Road Rehabilitation Project

COE File Number:

Waterway Name & Number: Yukon River

Date of Drawings: March 28, 2014

Sheet 3 of 3

TRAVIS/PETERSON ENVIRONMENTAL CONSULTING, INC.
329 2ND STREET
FAIRBANKS, ALASKA 99701

PROJECT No: 1183-18

FILE: Projects/1183/18/Sheet 3 of 3.SKF

DATE: 03/28/2014

SCALE: AS SHOWN